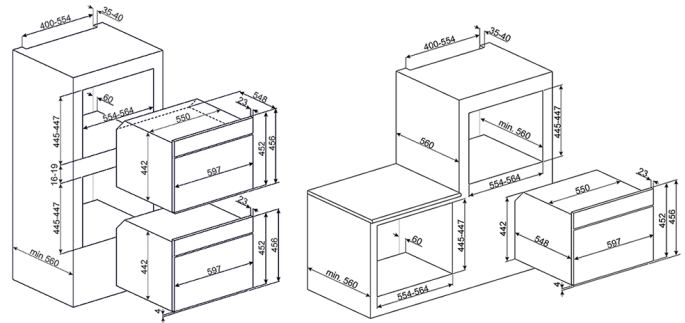


“Classic” Series Compact Combi Microwave Oven,  
24”/ 60 CM, Fingerproof Stainless Steel  
EAN13: 8017709191443



• **Aesthetics** • Glass Type: Eclipse • Door: With 2 horizontal strips • Handle Colour: Steel effect • **Programs / Functions** • No. of cooking functions: 13 • Automatic programmes: 20 • **Other functions: Defrost by time, Defrost by weight, Proving, Sabbath** • **Controls** • Display / Clock: Large LCD • Control setting: Control knobs • No. of controls: 2 • Controls colour: Steel effect • **Options** • Timer: Electronic • Time-setting options: Delay start and automatic end cooking • Minute minder • End of cooking acoustic alarm • Limited Power Consumption Mode • Controls Lock / Child Safety • Other options: Keep warm, Eco light, Quick start • Showroom demo option • Rapid pre-heating • **Technical Features** • Cooking method: Combi Microwave • Temperature control: Electronic • Minimum Temperature: 30 °C • Maximum temperature: 250 °C • Cavity material: Ever clean Enamel • No. of shelves: 3 • Shelves type: Metal racks • Tilting grill • No. of lights: 2 • Light type: Halogen • Light Power: 40 W • Light when door is opened • Lower heating element power: 1000 W • Grill element - power: 2000 W • Circular heating element - Power: 1400 W • Door: Temperate door • Total no. of door glasses: 3 • No. of thermoreflecting door glasses: 2 • Soft Close hinges • Safety Thermostat • Heating suspended when door is opened • Cooling system: Tangential • Cooling duct: Single • Microwave screen protection • Microwave stops when door is opened • Net volume of the cavity: 40 litres • Gross volume: 50 litres • Microwave effective power: 1000 W • **Accessories Included** • Grid with back stop: 1 • Insert grid: 1 • Glass tray: 1 • **Electrical Connection** • Voltage: 220-240 V • Electrical connection rating (W): 3100 W • Current: 14 Amp • Frequency (Hz): 50 Hz • Power supply cable length: 115 cm

## Functions



Main Oven