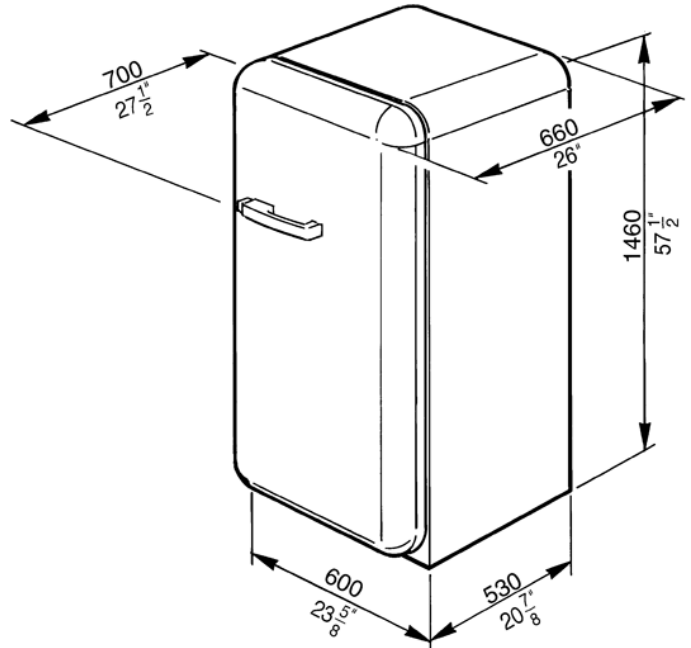


50'S Style Refrigerator with ice compartment,
Red, Right hand hinge
EAN13: 8017709208448



• Hinge position: Right • **Aesthetics** • Handle colour: Silver • **Refrigerator compartment features** • Number of fruit and vegetables drawers: 1 • No. of adjustable shelves: 3 • Type of adjustable shelves: Glass • Crisper Cover • Bottle shelf • Type of crisper/vegetable drawers cover: Glass • Internal light in fridge • Type of internal light (fridge): Incandescent light • **Refrigerator Inner Door** • No. of door shelves with transparent cover: 2 • Number of adjustable door shelves: 4 • Adjustable door shelves with wire support • No. of bottle shelves: 1 • Bottle shelves with wire support • **Other Refrigerator features** • Accessories: Bottle holder, Cheese box, Egg tray • **Freezer compartment features** • Internal freezer compartment: yes • **Other technical features** • Cooling type: Static • Freezer compartment accessories : Ice cube tray • Type of temperature control: Electro-mechanical • No. of compressors: 1 • **Performance / Energy Label** • Annual energy consumption: 280 kWh • Storage volume fresh food compartment: 247 litres • Storage volume frozen food compartment: 21 litres • Total storage volume: 268 • Total gross volume: 271 litres • **Electrical Connection** • Current: 2 Amp • Voltage (V): 120 V • Frequency (Hz): 60 Hz

Versions

- FAB28UBLR1 - Black, hinges on the right • FAB28UBER1 - Blue, hinges on the right