

FAB28URDR1

50's Retro style

50'S Style Refrigerator with ice compartment,
Red, Right hand hinge

EAN13: 8017709208448

Hinge position: Right

Aesthetics

Handle colour: Silver

Refrigerator compartment features

Number of fruit and vegetables drawers: 1

No. of adjustable shelves: 3

Type of adjustable shelves: Glass

Crisper Cover

Bottle shelf

Type of crisper/vegetable drawers cover: Glass

Internal light in fridge

Type of internal light (fridge): Incandescent light

Refrigerator Inner Door

No. of door shelves with transparent cover: 2

Number of adjustable door shelves: 4

Adjustable door shelves with wire support

No. of bottle shelves: 1

Bottle shelves with wire support

Other Refrigerator features

Accessories: Bottle holder, Cheese box, Egg tray

Freezer compartment features

Internal freezer compartment: yes

Other technical features

Cooling type: Static

Freezer compartment accessories : Ice cube tray

Type of temperature control: Electro-mechanical

No. of compressors: 1

Performance / Energy Label

Annual energy consumption: 280 KWh

Storage volume fresh food compartment: 247 litres

Storage volume frozen food compartment: 21 litres

Total storage volume: 268

Total gross volume: 271 litres

Electrical Connection

Current: 2 Amp

Voltage (V): 120 V

Frequency (Hz): 60 Hz



Versions

- **FAB28UBLR1** - Black, hinges on the right
- **FAB28UBER1** - Blue, hinges on the right

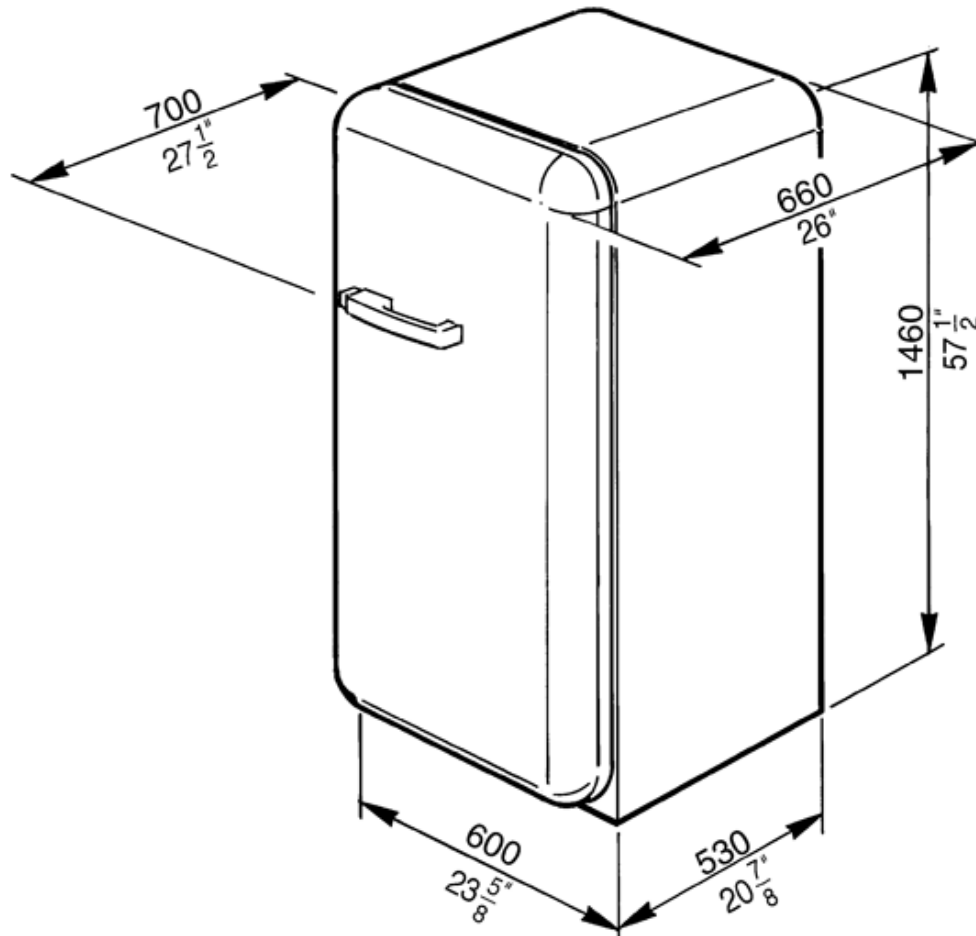
SMEG S.p.A.
Via Leonardo da Vinci, 4
42016 Guastalla (RE)
Tel. 0522 821 1



FAB28URDR1

50's Retro style

refrigerator
free standing
single door
red
24" - 60cm cm
60Hz



SMEG S.p.A.
Via Leonardo da Vinci, 4
42016 Guastalla (RE)
Tel. 0522 821 1